



From the Clubs

As we approach the end of the term, our school clubs have been buzzing with activity, fostering creativity, curiosity, and a love for learning. From English Literary Club's mega event, "Velocity," which combined the thrill of competitive word games with storytelling sessions; to an informative and fun electronics workshop by Science Club. This term was filled with lots of activities guided by experts demonstrating the diverse talents of our students, enriching their learning experiences beyond the classroom and reinforcing our commitment to holistic education. We are excited about the continued growth and exploration in the coming term!

Club Events

Kutty Cops in Action

A Parent Meeting was held on August 1st, 2024. The meeting began with a prayer song by the choir team of S5 students, setting a thoughtful tone. The Principal provided a brief introduction to the "Kutty Cops" initiative, outlining its goals and significance. Our Secretary then engaged with the parents, discussing the upcoming activities and how the "Kutty Cops" would work in collaboration with them. The parents were highly appreciative and fully satisfied with the proposed action plan. The meeting was interactive, fostering a positive and collaborative atmosphere.



Interact Club - PER

The Interact Club of Shaanthy School PER Campus held its installation ceremony on 2nd August 2024 in Periyakottai. The event featured a dignitary procession, with Mr. K. Krishnan as the Chief Guest and the Correspondent of Shaanthy Schools as the Guest of Honour. Newly installed President V.S. Bherrisvata introduced the new team of office bearers, and the ceremony concluded with the President's adjournment.





Photography Club – Workshop - "Capturing Light: Understanding Photography Essentials"

On 6thth August, The Photography Club conducted a workshop, focusing on key techniques like ISO, aperture, shutter speed, and exposure. Participants gained hands-on experience and learned to harness these elements to create captivating images. The workshop was a great success, inspiring both beginners and budding photographers alike.



Interact Club – Board of Directors election

On 9thth August, The Interact Club of our school had an election for its new Board of Directors of the year 2024-2025 by a show of hands, fostering a spirit of democracy and unity. The election marked the start of a new chapter in promoting social responsibility and community service. Members also discussed the club's future direction and their potential role in volunteering for the school's Discipline Committee, reinforcing their commitment to community service and promoting a positive school environment.



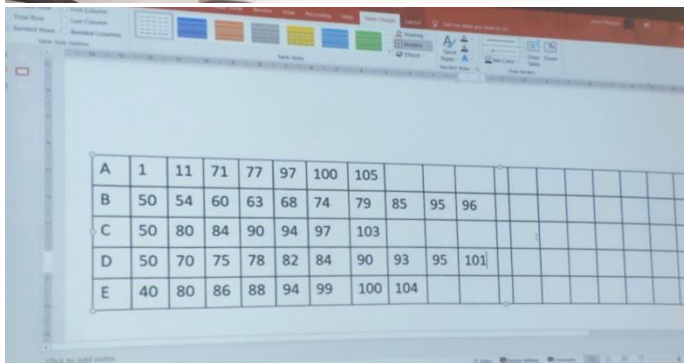
Astronomy Club

The session commenced with an introductory overview of astronomy, highlighting the role of telescopes in exploring the universe. Students had the opportunity to view a prominent terrestrial object through a telescope, which sparked enthusiasm and curiosity. The students were highly engaged, sharing their observations and asking questions. Overall, the activity successfully ignited interest in astronomy among S4 students, providing them with a foundational understanding of telescopes and their functions.



Maths Club

Math club conducted 101 points game for each class students and the children participated enthusiastically in the event. Also, every Monday and Wednesday Challenging questions were posted in the notice board. They tried to solve those questions with curiosity.



Drama Club

During the grand Independence Day celebration, our drama club students delivered an extraordinary and profoundly moving patriotic mime show, serving as the highlight of the event and leaving the audience deeply inspired and mesmerized by their exceptional performance.



Art & Craft Club

Art and craft club workshop was conducted on Rose Making using coconut leaves. Demo was given by Club Co-ordinator to S6 to S10 students



Music Club

Our students delivered an extraordinary performance during the Independence Day and Krishna Jayanthi vocal sessions. Their voices resonated with deep patriotism and divine fervor, captivating the audience with their heartfelt expression.



Rhythm and voice blends



Bajan on krishna Jayanthi

sDance Club

Students from the Dance Club delivered a captivating performance that ignited a deep sense of patriotism. Adorned in vibrant hues of the national flag, their graceful movements and energetic expressions stirred the audience, evoking pride and unity.



Science Club Aura - V

AURA-V Science Fair, was held on 17th August 2024 at the Yoga Hall from 1:30 PM to 2:30 PM. Organized by the Science Club, the event showcased an impressive total of 74 projects, divided equally between 37 working models and 37 display models. The fair was met with enthusiastic participation from students across various grades, who exhibited a diverse range of scientific innovations and creative ideas. The working models, in particular, demonstrated the students' ability to apply theoretical knowledge to practical applications, while the display models highlighted their creativity and understanding of complex concepts.



AURA-V in PER campus showcased innovative projects and experiments. Students from S4 to S10 displayed their projects and presented in an organized manner. The event sparked curiosity and creativity among other students. It was conducted effectively with active participation by club members.

- S4-Healthy living and well being
- S5-Human body system
- S6-Daily chemistry
- S7-Separation mixture
- S8-Atomic structure
- S9-Types of herbal Medicine
- S10-Optics

Literary Clubs

The English Literary Club organized a variety of engaging activities to stimulate creativity and intellectual growth among students. The club also emphasized inclusivity through the Language Velocity competition, where senior students from grades S6 to S10 organized the event for those in S4 and S5, nurturing their linguistic abilities and fostering healthy competition.

Meanwhile, the Tamil Club was equally active, holding Pattimandram debates and JAM sessions on Tuesdays and Saturdays, allowing students to express their views confidently in their native language.

The Hindi Club contributed by showcasing educational videos every Wednesday and prize winners were chosen through a lottery system, adding excitement and motivation for engagement.

Collectively, the literary clubs have fostered a vibrant, collaborative environment that supports the development of language skills, critical thinking, and public speaking, while promoting a strong sense of community.



Thirst day Activity-Word Sneak

20 Questions



பட்டிமன்றம் - பெற்றோர்களுக்கு பெரும் சவாலாக இருப்பது மகனை வளர்ப்பதா? மகனை வளர்ப்பதா?

ஒரு நிமிட பேச்சு - நீரின்றி நாமில்லை



Awaiting to check the winner of Raja Randhi Dev story

Hindi Club -Checking the answers of Rain story

Thirst Dayz – Word Rhyme 1-8-2024

Word Rhyme activity brought together participants for a creative and fun-filled competition. Students were challenged to come up with rhyming words on the spot, testing their vocabulary and quick thinking. The event was filled with energy, as students engaged in friendly competition, showcasing their linguistic skills.



Harmonic Heights of Shaanthyans – Crew Managers 2-8-2024

Reorganized with crew supervisors and event managers. This new structure aims to enhance the station's efficiency and creativity, ensuring smoother operations and more engaging content. The dedicated team is now focused on delivering high-quality programming and organizing exciting school-wide events.



Tuesday Talkathon – JAM 6-8-2024



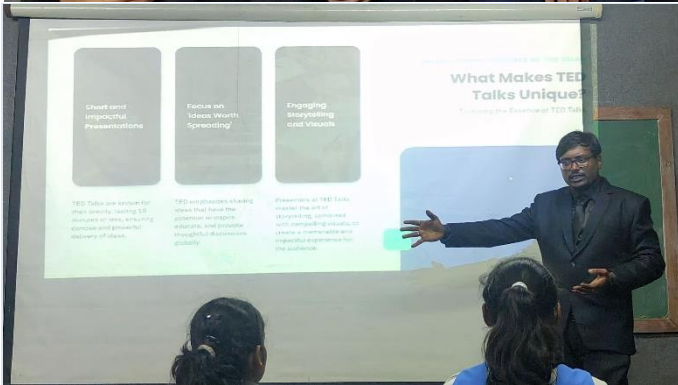
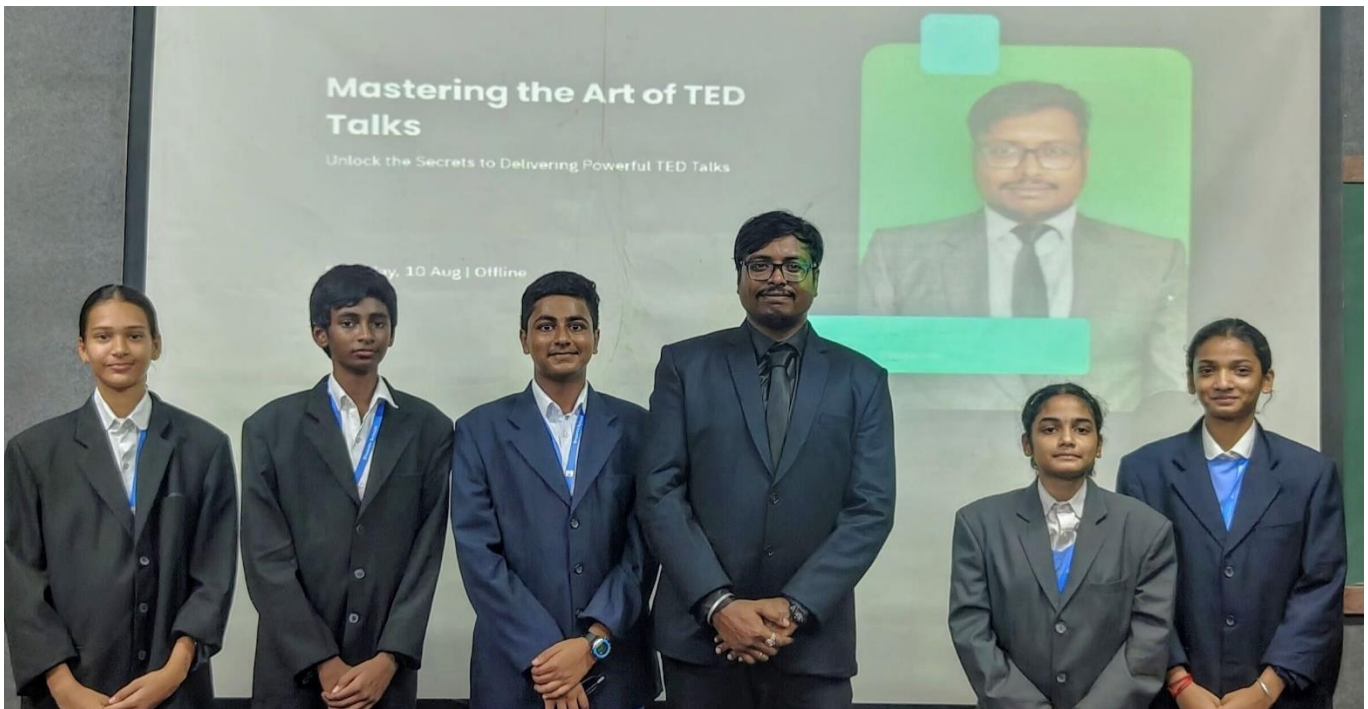
Thirst Dayz – Sentence Building 8-8-2024

The activity emphasized the importance of syntax, vocabulary, and clarity in writing. Students worked collaboratively to construct grammatically correct and creative sentences. Participants enjoyed the challenge, and the event successfully enhanced their language skills while fostering teamwork and critical thinking.



Saturday Speaking Spree – Workshop on TED Talk 10-8-2024

Mr. Raja Durai, the English Literary Club Coordinator, delivered an inspiring TED Talk on "Mastering the Art of TED Talks." The session emphasized key strategies for effective communication, including body language, voice modulation, and storytelling techniques. Mr. Durai shared practical tips on engaging the audience, crafting memorable messages, and overcoming stage fright. The event was both enlightening and motivating, inspiring students to enhance their public speaking skills and pursue excellence in communication.



Tuesday Talkathon – JAM 16-8-2024



Saturday Speaking Spree – Debate 17-8-2024

Students passionately debated on the topic "Is it ethical to use animals for entertainment purposes?", discussing the moral implications, animal rights, and cultural traditions. The debate fostered critical thinking and respectful discourse, encouraging participants to explore the ethical complexities surrounding this controversial issue.





Tuesday Talkathon – JAM 19-8-2024



Talkathon Tuesdays – JAM 20-8-2024



Thirst Dayz – Alphabet Story Telling 22-8-2024

The alphabet storytelling activity sparked creativity and language skills. Members collaboratively created a story, with each sentence beginning with the next letter of the alphabet. This fun, challenging exercise promoted quick thinking, enhanced vocabulary, and encouraged teamwork, making language learning an engaging experience.



Mega Event – Velocity 24-8-2024

The English Literary club hosted an exciting event 'Velocity' centred around word games, designed to enhance vocabulary and language skills for fourth and fifth standard students. The event began with a preliminary round of written grammar multiple-choice questions to test students' foundational knowledge. 73 students participated in the prelims. Following this, 9 participants advanced to rounds filled with engaging word games like Word Chain, Word Association, and Word Sneak

The entire event was skilfully organized and conducted by the club's office bearers, who ensured a smooth and enjoyable experience for everyone. The atmosphere was lively, and the students had lots of fun while learning, demonstrating quick thinking and creativity. The event fostered a love for language, teamwork, and friendly competition among the young learners.



Talkathon Tuesdays – JAM 27-8-2024

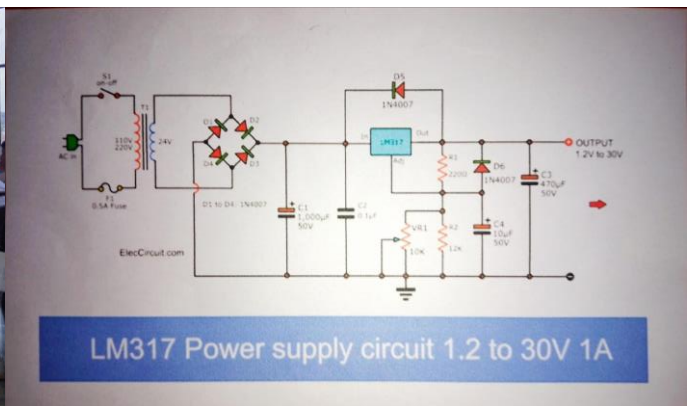


Thirst DayZ – Story Starters 29-8-2024

"Story Starters" activity inspired creativity among students, who were given unique opening lines or scenarios to craft their own stories. Participants enjoyed developing imaginative narratives, enhancing their writing and speaking skills. The event was a success, fostering self-expression and making storytelling an enjoyable and engaging experience for all



Science Club Hands-on Workshop- Basic Electronics



On 24th August, a hands-on training workshop focused on the LM317 adjustable power supply circuit, designed to provide an output voltage range from 1.2V to 30V at up to 1A was hosted by Mr. Venkat Sundaram at 1.30 pm with 24 participants. The objective was to provide participants with practical experience in building and testing the LM317 power supply, understanding its operation, and troubleshooting common issues



Eco club

On the 29th of August, 2024, members of the Eco Club embarked on a hands-on environmental initiative, diligently excavating a pit for composting as part of their eco-conscious activities



Spotlight

French Open

The French open also known as ROLAND GARROS is a major tennis tournament held over two weeks at the STADE ROLAND GARROS in Paris, France, beginning in late may each year. The french open is the premier clay court championship in the world and the only GRAND SLAM tournament currently held on this surface. It is chronologically the second of the four grand slam tournaments occurring after the Australian open (AO) and before WIMBLEDON and the US OPEN.

CURRENT CHAMPIONSHIP- CARLOS ALCARAZ
MOST SINGLES TITLES- RAFAEL NADAL-14.

TENNIS
SUCCESS

#1

PER-S10-SIVARANJANI

FIFA THE CHAMPIONS

FIFA INVESTS IN GRASSROOT SOCCER PROGRAM TO DEVELOP THE SPORT AT THE LOCAL LEVEL. SOCCER IS PLAYED AND FOLLOWED BY BILLIONS OF PEOPLE.

PER-S9-GOWRISHANKAR

W I S T O R F I C A L
F L I G U R E S

MAHATMA NEHRU
Time is not measured by passing of years but by what one does, what one achieves.
He embarked on an ambitious program reforms. Nehru promoted multi party democracy. He also promoted the non aligned movement!

ABDUL KALAM
If you want to shine like the sun, first be like the sun.
He started as a newspaper vendor, became scientist, engineer, projects for missiles, became a biggest inspiration!

DR. B. R. AMBEDKAR
If you believe in living a respectable life, you believe self help which is best help.
He is an Indian jurist, economist, social reform leader,

PER-S8-HARINI

INDIA

PER-S7-YAJINESH

PER-S6-HARSHINI

BIRDS

Birds: Unique Features

Birds are fascinating creatures with unique adaptations that allow them to thrive in diverse environments.

They possess feathers that provide insulation and enable flight. Many birds have evolved unique behaviors and social structures, such as migration and complex courtship rituals.

Understanding birds is crucial for conservation efforts, as they play a vital role in ecosystems and are often indicators of environmental health.

PER-S4-ARATHANA

Birds and their unique features

- Pelican**: I have long beak
- Kingfisher**: I am a great fish hunter
- Tufted Puffin**: I can hold 20 fish in my mouth
- Golden Pheasant**: I like call Kambon
- Flamingo**: I feed my babies cropmilk from the gland in digestive system
- Lark**: I have fine sawe at the tip of my tongue
- Spangled Cuckoo**: I cannot sing or vocalize

PER-S3-ADHIRAYAN DAKSHINAMURTHY

Birds and their unique features

Names	Label	unique features
Pardal		It has the ability to imitate human voices
Eagle		It has amazing eye sight about 300°
Peacock		It has extraordinarily beautiful tail. It shake their feathers about 25 times per second.
Swan		It has the ability to swim and fly with great speed and agility.
Ostrich		It has wings but it does not use to fly, they have sweeping eyelashes and it has strong legs to run.
Penguin		It swims up to 20 km/hr. It evolved to fly under water, its feet under the skin help to keep it warm.

PER-S2-SENDHAN